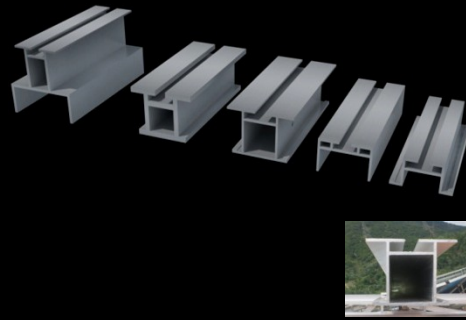
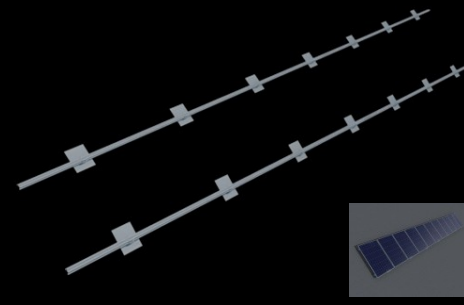


2012 PRODUCT GUIDE



TOUGH TRAC RAILS

- Power Arm Rail for ultimate strength. Longer spans.
- Heavy Duty Rail for extreme weather conditions. Unbeatable.
- Standard Rail for all weather conditions. Top Class.
- C Rail for flexibility to mount any size panel. Universal.
- Lite Rail for economy. Value leader and best in class.
- All rails rated for 120 mph wind loads.

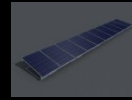
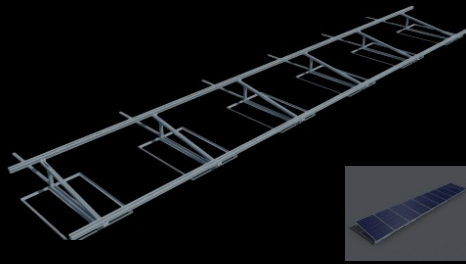


PITCH ROOF PORTRAIT SYSTEM

- Lowest MSRP in the market.
- Available in Lite Rail or Standard Rails.
- 11" x 10" flashing plates available.
- Best in class spans for 120 mph wind zones.
- Lite Rail can span 64" & Std Rail can span 96"
- System weighs 0.40 psf.

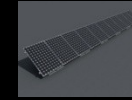
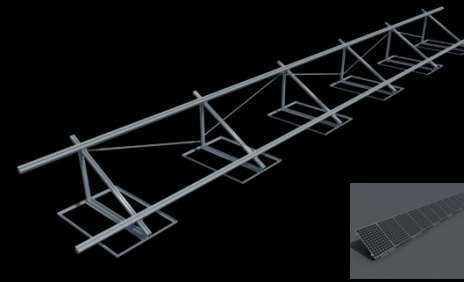
LOW ANGLE BALLAST PORTRAIT SYSTEM

- Fixed 10 Degree Angle
- One Piece Ballast Tray is 48" x 34" & can hold 12 blocks.
- Also fits large wattage panels (250W-280W).
- Available with Standard Rail.
- Add Sections and Rail to lengthen array.
- System weighs 0.88 psf.



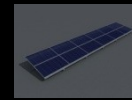
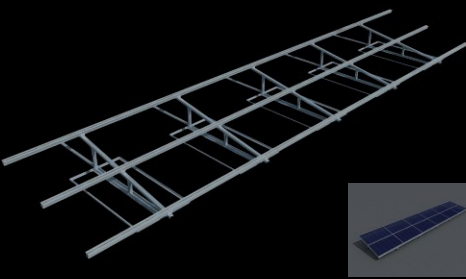
SOLAR THERMAL/MID ANGLE BALLAST SYSTEM

- Lowest MSRP in the market.
- Custom fabrication to any degree tilt.
- One Piece Ballast Tray is 48" x 34" or 64" x 34".
- Custom to fit all size Solar Collectors and Panels.
- Available with Standard Rail.
- Side & Rear Support Braces keep structure solid.



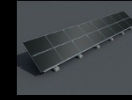
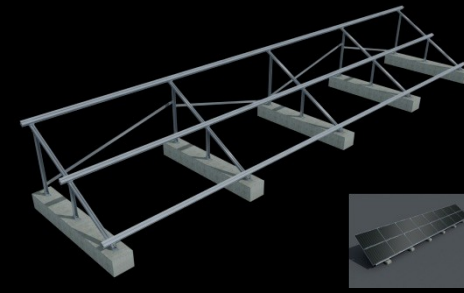
LOW ANGLE BALLAST LANDSCAPE SYSTEM

- Fixed 10 Degree Angle.
- Only double row ballast landscape in the market.
- One Piece Ballast Tray is 64" x 34" & can hold 16 blocks.
- Available with Standard Rail.
- Add Sections and Rail to lengthen array.
- System weighs 1.05 psf.



MID ANGLE PORTRAIT/LANDSCAPE SYSTEM

- Fixed 30 degree angle.
- Available in single row portrait or 2 row landscape.
- Can be bolted to concrete curbs or ground surface.
- Available with Standard Rail.
- Add Sections and Rail to lengthen array.
- Section spacing is 96".



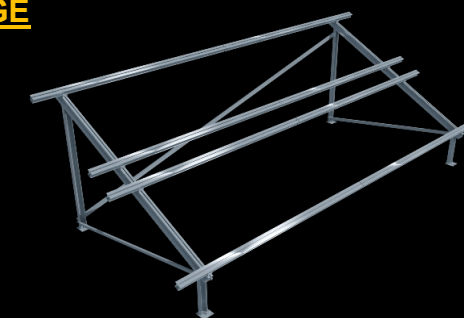
CONTINUOUS ARRAY LANDSCAPE/PORTRAIT LARGE

- Specifically designed for arrays to be continuous.
- Fixed 20 degree tilt in triple portrait or four row landscape.
- Compatible with earth screws or concrete piers.
- Simple installation with each section installed in 10 minutes.
- Each Vertical Support is welded to the Base Plate.
- Continuous Array uses Standard Rail or Heavy Duty Rail.
- Exclusive 2 rail design mounts any size panel and provides ultimate adjustment flexibility.
- Side & Rear Support Braces keep structure solid.



CONTINUOUS ARRAY PORTRAIT SMALL

- Specifically designed for arrays to be continuous.
- Fixed 30 degree tilt in double portrait.
- Compatible with earth screws or concrete piers.
- Simple installation with each section installed in 10 minutes.
- Each Vertical Support is welded to the Base Plate.
- Continuous Array uses Standard Rail or Heavy Duty Rail.
- Exclusive 2 rail design mounts any size panel and provides ultimate adjustment flexibility.
- Side & Rear Support Braces keep structure solid.



ALL SETS ARE 100% ALUMINUM AND INCLUDES ALL STAINLESS STEEL HARDWARE WITH TOUGH TRAC STANDARD 20 YR LIMITED WARRANTY.

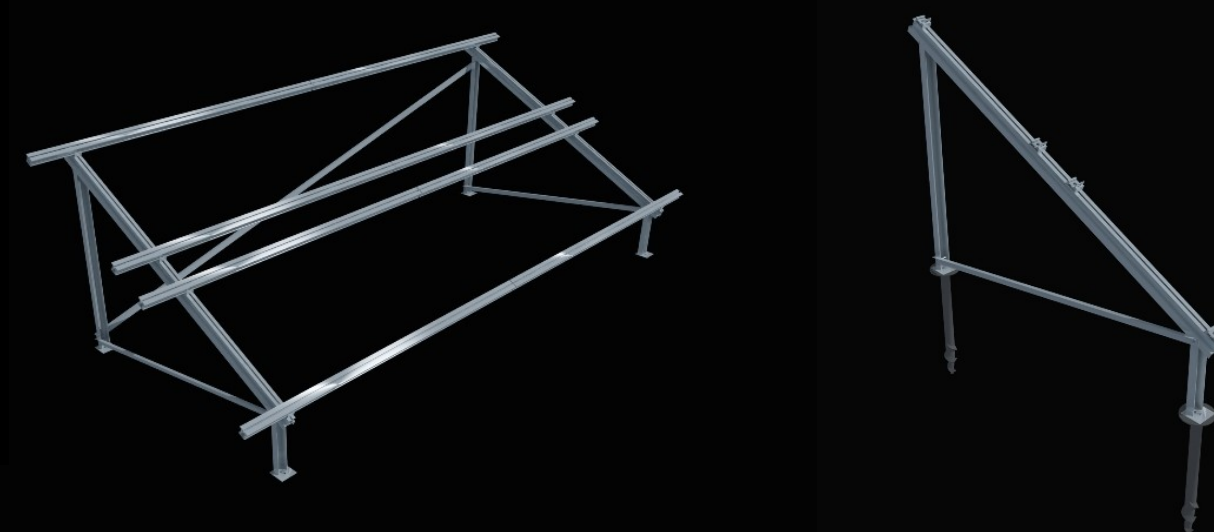
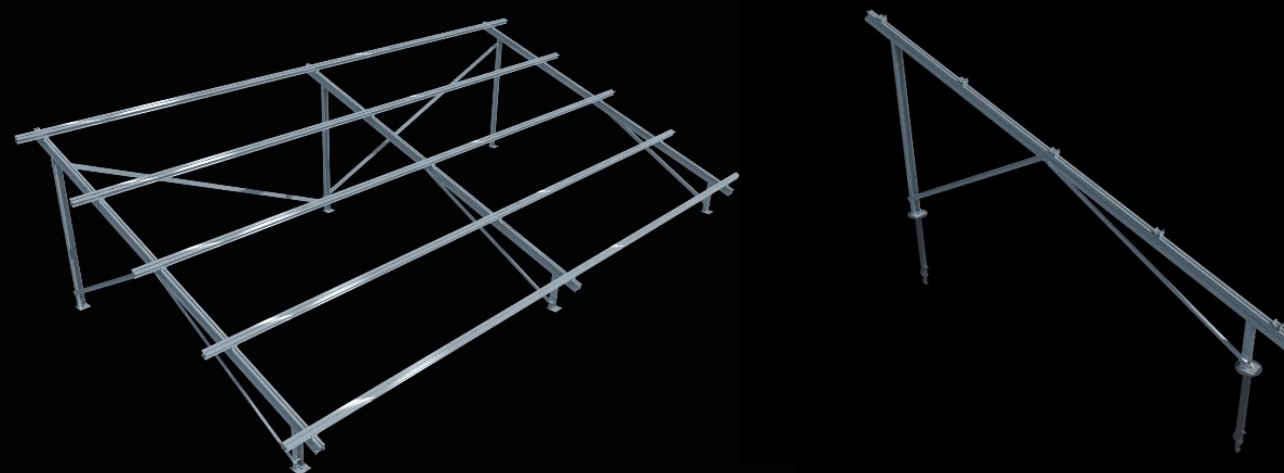
TOUGH TRAC™

VISIT US ONLINE AT WWW.TOUGHTRAC.COM

©COPYRIGHT 2009 TOUGH TRAC™. TRADEMARK BELONGS TO THEIR RESPECTIVE OWNERS. ALL RIGHTS RESERVED.



2010 PRODUCT GUIDE



CONTINUOUS ARRAY LANDSCAPE/PORTRAIT LARGE

- Specifically designed for arrays to be continuous.
- Front to back spans are 12' & left to right are 8' (STD Rail) & 12' (HD Rail) to minimize ground penetrations.
- Compatible with earth screws or concrete piers.
- Simple installation with each section installed in 15 minutes.
- Each Vertical Support is welded to the Base Plate to minimize install time.
- Stock section has a fixed 20 degree angle and mounts 4 rows of modules in Landscape or 3 rows in Portrait. *Contact us if a different angle is needed.*
- Continuous Array uses Standard Rail or Heavy Duty Rail.
- Exclusive 2 rail design mounts any size panel and provides ultimate adjustment flexibility.
- Side & Rear Support Braces keep structure solid.
- All parts are 100% aluminum with stainless steel hardware.

CONTINUOUS ARRAY LANDSCAPE/PORTRAIT SMALL

- Specifically designed for arrays to be continuous.
- Front to back spans are 6' – 7' & left to right are 8' (STD Rail) & 12' (HD Rail) to minimize ground penetrations.
- Compatible with earth screws or concrete piers.
- Simple installation with each section installed in 10 minutes.
- Each Vertical Support is welded to the Base Plate to minimize install time.
- Stock section has a fixed 30 degree angle and mounts 2 rows of modules in Landscape or in Portrait. *Contact us if a different angle is needed.*
- Continuous Array uses Standard Rail or Heavy Duty Rail.
- Exclusive 2 rail design mounts any size panel and provides ultimate adjustment flexibility.
- Side & Rear Support Braces keep structure solid.
- All parts are 100% aluminum with stainless steel hardware.

ALL SETS ARE 100% ALUMINUM AND INCLUDES ALL STAINLESS STEEL HARDWARE WITH TOUGH TRAC STANDARD 20 YR LIMITED WARRANTY.

TOUGH TRAC™

VISIT US ONLINE AT WWW.TOUGHTRAC.COM

©COPYRIGHT 2009 TOUGH TRAC™. TRADEMARK BELONGS TO THEIR RESPECTIVE OWNERS. ALL RIGHTS RESERVED.

